

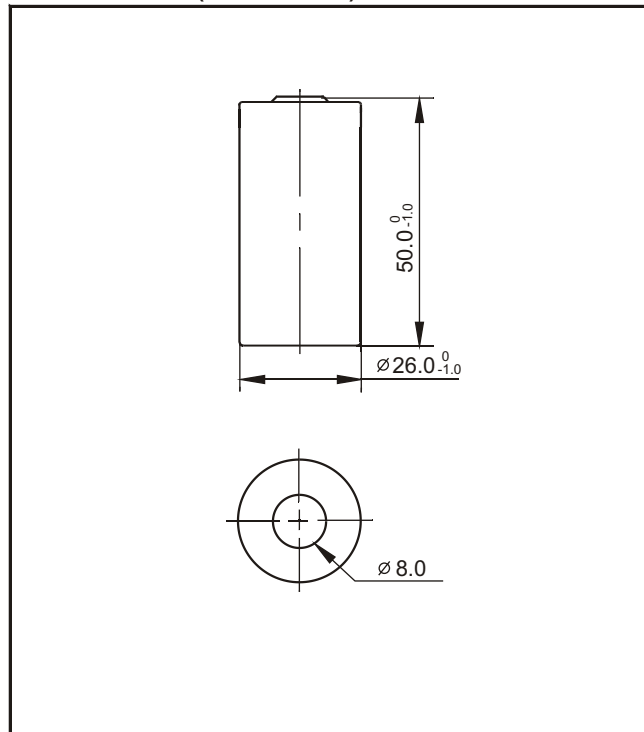
# BYD Ni-Cd Battery Individual Data Sheets

## TYPE: D-C2500H(KR26/50)

### Specifications

Nominal voltage		1.2V	
Capacity <sup>1</sup>		0.2C Discharge	1C Discharge
	Minimum	2500mAh <sup>2</sup>	2250mAh
	Typical <sup>3</sup>	2700mAh	2500mAh
Dimensions	Diameter	mm	inch
		26.0 <sup>0</sup> <sub>-1.0</sub>	1.024 <sup>0</sup> <sub>-0.039</sub>
	Height	50.0 <sup>0</sup> <sub>-1.0</sub>	1.969 <sup>0</sup> <sub>-0.039</sub>
Weight <sup>4</sup>	Grams	Ounces	
	70	2.47	
Internal impedance <sup>4</sup> at 1000Hz.		10mΩ (After charge)	
Charge	Standard	250mA(0.1C) X 15hrs	
	Trickle	125mA(0.05C) X 48hrs	
Ambient temperature	Charge	°C	°F
		Standard	0°C to 60°C
	Trickle	0°C to 60°C	32°F to 140°F
	Discharge	-20°C to 70°C	-4°F to 158°F
	Storage	-20°C to 45°C	-4°F to 113°F

### Dimensions(with tube) (mm)

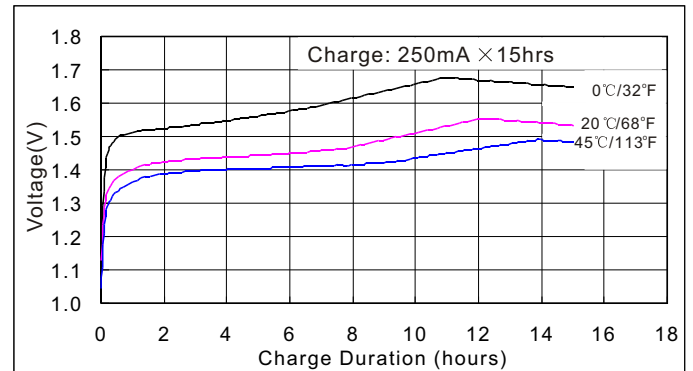


Note:

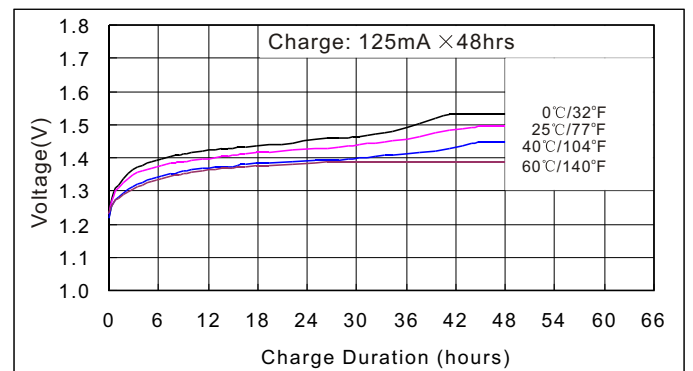
1. After charging at 0.1C for 15 hours.
2. Nominal capacity, rated at 0.2C, 20°C
3. Average capacity. For reference only.
4. Weight and internal impedance are for reference.

### Typical characteristics

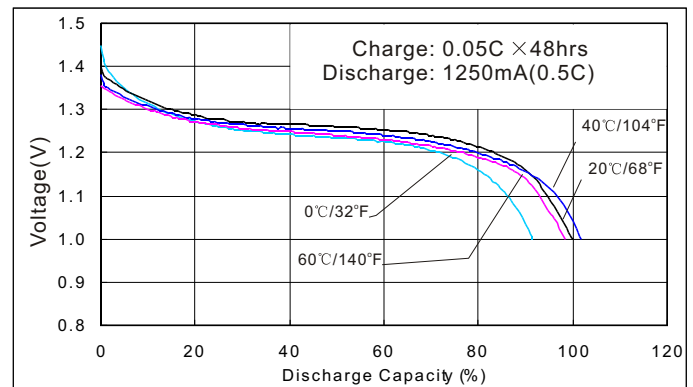
#### Standard charge characteristics



#### Trickle charge characteristics



#### Discharge characteristics



#### Charge Efficiency

