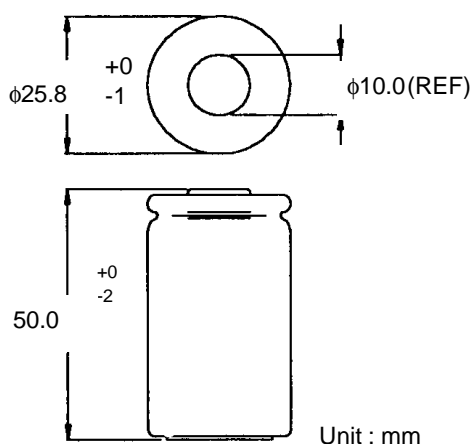


GP Batteries

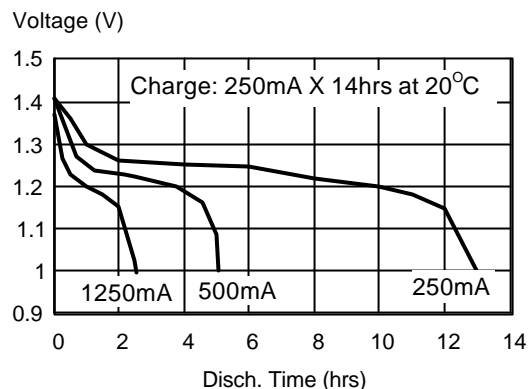
Data Sheet

Model No.: 250CKT

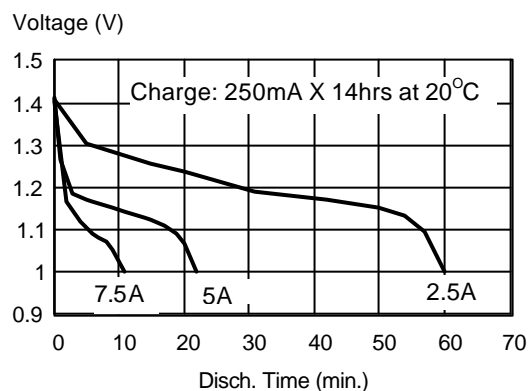
Type	: High Temperature Rechargeable Nickel Cadmium Cylindrical Cell
Nominal Dimension (with Sleeve)	: $\varnothing = 25.8$ mm H = 50.0 mm
Application	: Recommended discharge current 250mA to 7.5A
Nominal Voltage	: 1.2V
Nominal Capacity	: Min.: 2500mAh Typical: 2750 mAh when discharged at 500mA to 1.0V at 20°C
Charging Condition	: 250mA for 14 hrs at 20°C
Service Life	: >500 cycle (IEC60285 standard)
Continuous Overcharge	: Comply with IEC60285 Permanent Charge Endurance Test
Weight	: 70g
Internal Resistance	: Average 17m Ω upon fully charged (Range : 15-22m Ω) at 1000Hz
Max. Charging Voltage	: 1.5V at 250mA charging
Temperature Range	: Standard charging : 0 to 70°C Discharging : -20 to 70°C Storage : -20 to 35°C Storage (1 week) : -20 to 60°C



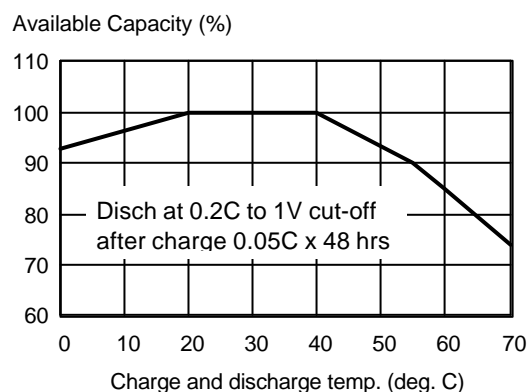
Low Rate Discharge



High Rate Discharge



Charge/discharge efficiency vs. temp.



* The information (subject to change without prior notice) contained in this document is for reference only and should not be used as a basis for product described guarantee or warranty. For applications other than those here, please consult your nearest GP Sales and Marketing Office or Distributors.